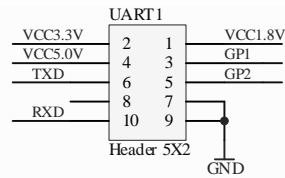


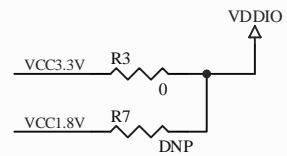


IRDA SIR STAMP Add On Card

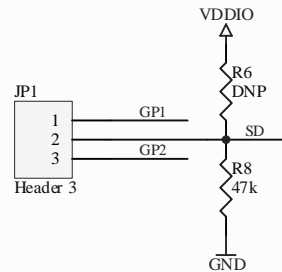
In IrDA® (Infrared Data Association) mode, the UARTs meet the half-duplex IrDA SIR (9.6/1 15.2 Kbps rate) protocol.



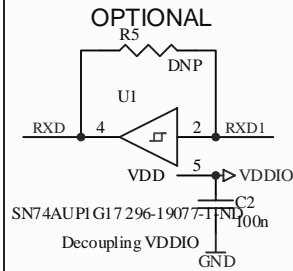
STAMP UART Expansion Connector



Supply Voltage Selection



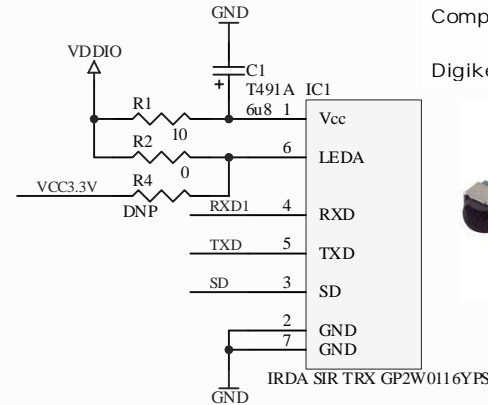
Shutdown GPIO Selection



Receive Data Option

IrDA Transceiver Module
Compliant with IrDA1.2 Low Power

Digikey Part# 425-1915-1-ND



	SD	TXD	LED	Receiver	TR1	TR2	RXD
Low		High	ON	Don't care	–	–	Not valid
		Low	OFF	IrDA signal	OFF	ON	Low
High		No signal	OFF	No signal	ON	OFF	High
		Don't care	OFF	Don't care	OFF	OFF	Pull-up

Title **STAMP IRDA-SIR Add-On Card**

-- Systems Engineering --
Open Source
Hard and Software
Projects



Size: A4 Name: Michael Hennerich Revision: 0.1

Date: 06.12.2007 Time: 18:24:08 Sheet 1 of 1

File: STAMP IRDA DC Rev011 Schematic.SchDoc