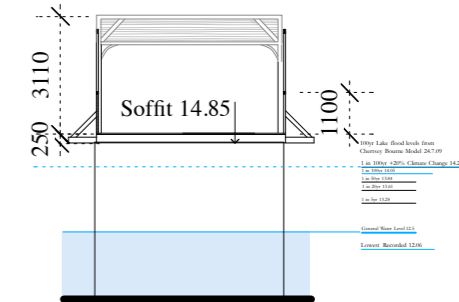
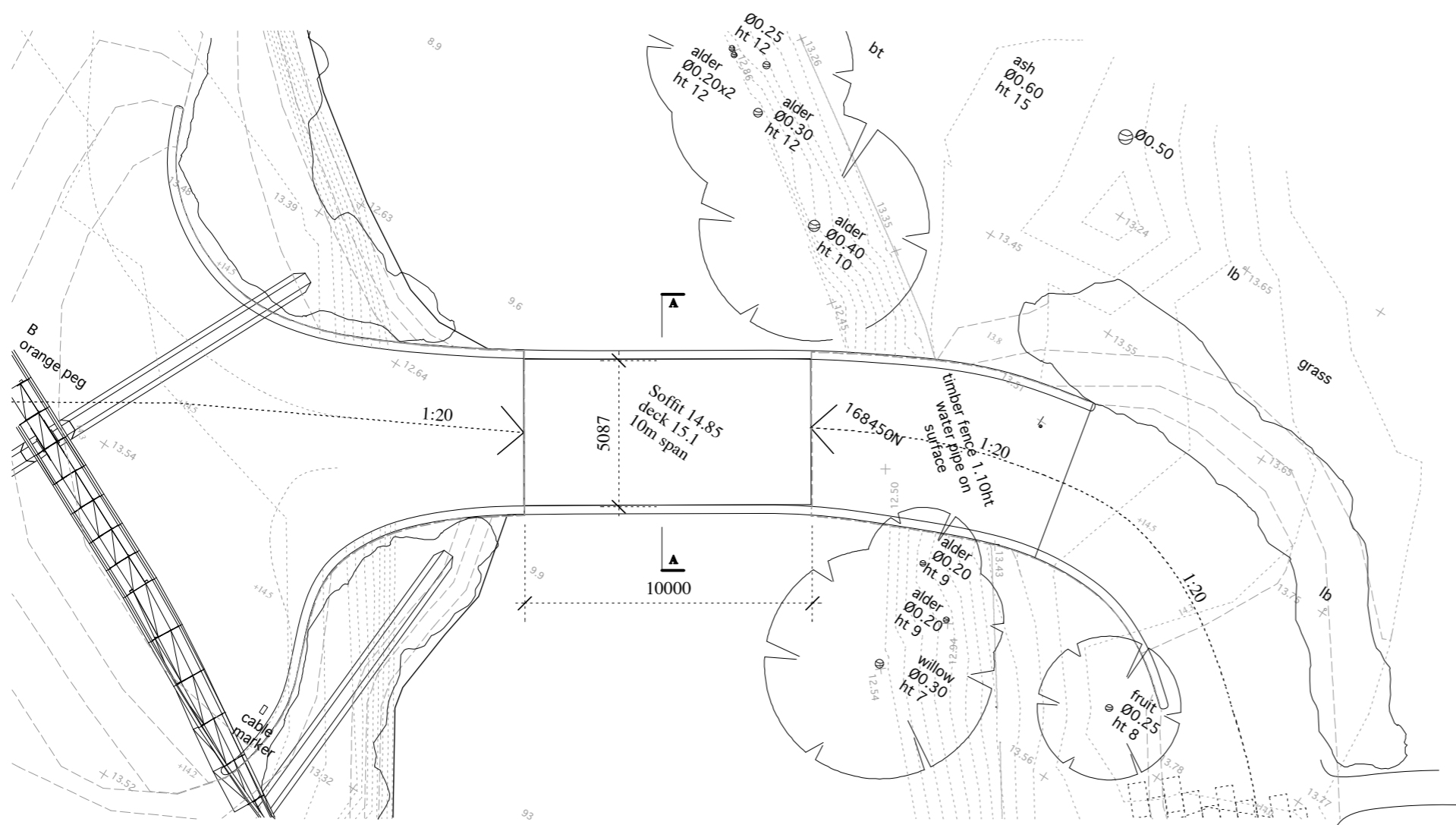


South East Elevation

Materials
 Decking: Timber boards
 Fencing: Rusticated timber boarding and timber cross bracing
 Structure: Concrete on both sides of span, timber beams



Section AA



NICHOLS BROWN WEBBER
 ARCHITECTS AND LANDSCAPE PLANNERS

POND HOUSE, NORTHEND, HENLEY-ON-THAMES, OXON RG9 6LG
 TEL: TURVILLE HEATH (01491 638 536), FAX (01491 638 228)

PROJECT
Thorpe Park/2012 Rollercoaster

DRAWING TITLE
Bridge Planning Drawings

| | |
|--------------------------------|------------------------|
| PLOT DATE 29.11.10 | CHECKED |
| SCALE: 1:200@A3 1:400@A1 | STATUS |
| PROJECT NO 472/68 | DRAWING NO 9 |
| REVISION | |