

WANT THE ADVANTAGES OF SMALL PACKAGES PLUS LOW POWER CONVERTER CONSUMPTION IN STANDBY MODE?

# Get ST's Power-Wise VIPer ICs For Flyback Converters

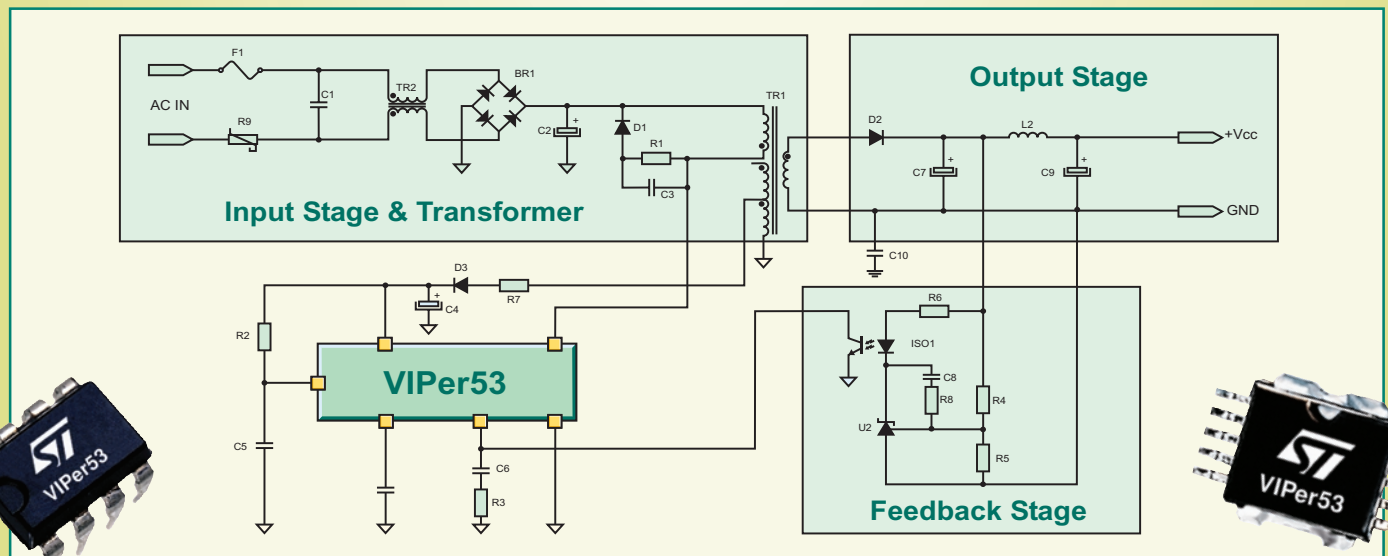
ST's evolutionary VIPer® off-line switch mode power supply ICs combine an optimized, high voltage Vertical Power MOSFET with state-of-the-art PWM circuitry. The result, truly innovative AC to DC conversion that's simpler, quicker and, thanks to extremely low total mains power consumption when the electronic equipment is in stand-by, more readily compliant with new Stand-by Consumption Standards like Blue Angel or Energy Star Eco Norms. In addition the VIPer family devices offer adjustable or fixed switching frequency, integrated start-up supply and built in protection against over-voltage under-voltage and over-temperature. Plus with the new VIPer53 family you get the benefits of ST's MDmesh™ technology and features like over-load and short circuit protection.

## VIPer Features

- Low stand-by current
- Automatic burst mode operation in stand-by mode enables compliance with the Stand-by efficiency norms
- Integrated start-up supply
- Current mode control
- Under-voltage lock out with hysteresis
- Over-temperature protection
- Adjustable current limitation
- Fixed or adjustable switching frequency up to 300kHz

## VIPer Range

| Part Number              | Package             | European Voltage Range (195-265 Vac) | US/Wide Voltage Range (85-265 Vac) |
|--------------------------|---------------------|--------------------------------------|------------------------------------|
| VIPer53DIP<br>VIPer53SP  | DIP-8<br>PowerSO-10 | 50W<br>65W                           | 30W<br>30W                         |
| VIPer22ADIP<br>VIPer22AS | DIP-8<br>SO-8       | 20W<br>12W                           | 12W<br>7W                          |
| VIPer12ADIP<br>VIPer12AS | DIP-8<br>SO-8       | 13W<br>8W                            | 8W<br>5W                           |



Want more information on the smart solution in flyback Converters for off-line power supplies? Go to [www.st.com/viper](http://www.st.com/viper)



Helping lead the way