

WANT TO ADD SOME REAL INTELLIGENCE TO YOUR HIGH EFFICIENCY CONVERTER APPLICATION?

GET SMART POWER MOSFET DRIVE WITH STSRx ICs FROM ST

ST's STSRx Smart Driver ICs bring new levels of performance in high efficiency power converters.

The STSR2 Smart Driver provides two complementary high current outputs to drive Power MOSFETs in the secondary Synchronous Rectifier stage of medium power, low output voltage, high efficiency Forward Converters. A special inhibit function makes discontinuous conduction mode possible and prevents the freewheeling MOSFET from sinking current from the output.

The STSR3 Smart Driver provides a high current output to drive secondary Power MOSFETs used as Synchronous Rectifiers in high output current, high efficiency Flyback Converters.

STSR3 allows the implementation of synchronous rectification in discontinuous mode PWM, continuous mode PWM and quasi-resonant flyback converter.

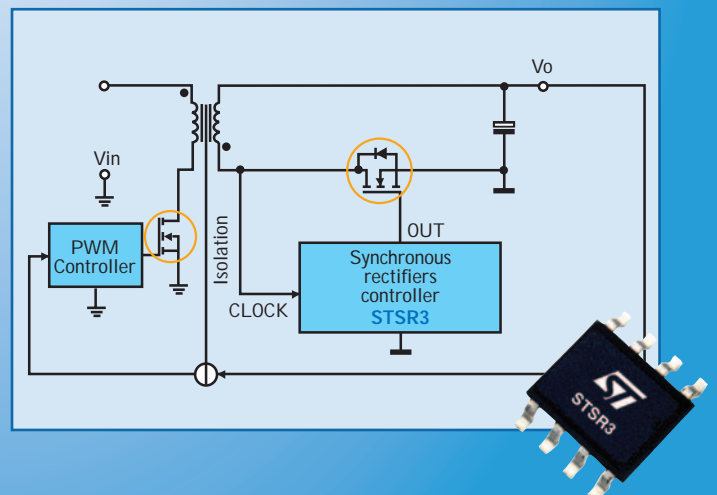
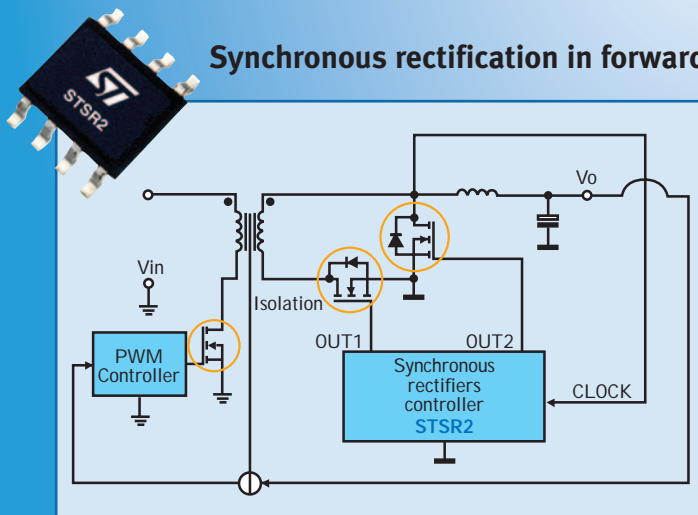
MAIN FEATURES

- Supply Voltage Range: 4.5V to 5.5V
- Typical Peak Output Current:
source: 2A sink: 3.5A
- Operating Frequency:
STSR2 20 to 750kHz
STSR3 30 to 750kHz
- Smart turn-off anticipation timing
- Able to operate in Discontinuous mode

APPLICATIONS

| | |
|-------|---|
| STSR2 | Desktop Silver Box , Server Power Supply, DC-DC Modules |
| STSR3 | AC - Adaptors, DC-DC Modules |

Synchronous rectification in forward (STSR2) and flyback (STSR3) topologies.



Want more information on stsrx devices or the dedicated demoboard and application notes? Go to www.st.com/vregs



Helping lead the way