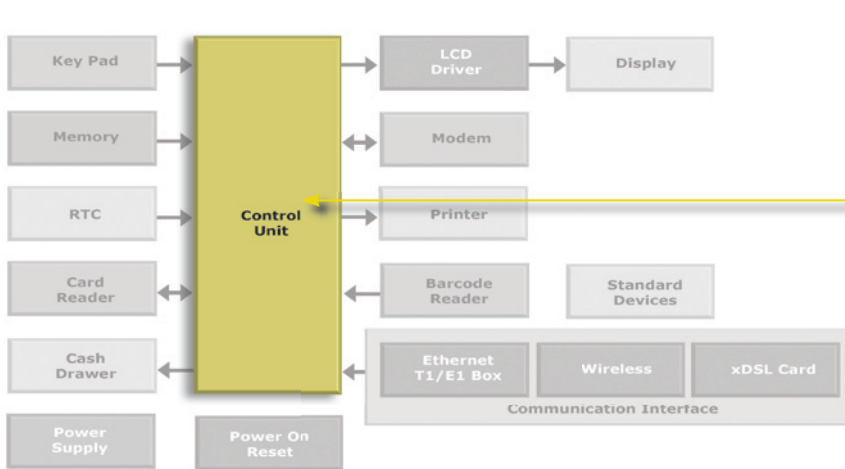


# Solutions

## STR7 ARM-based 32-bit Flash MCU with USB and CAN gives you control over power and performance, and brings innovation to your design

*Innovative products for multi segment application systems*



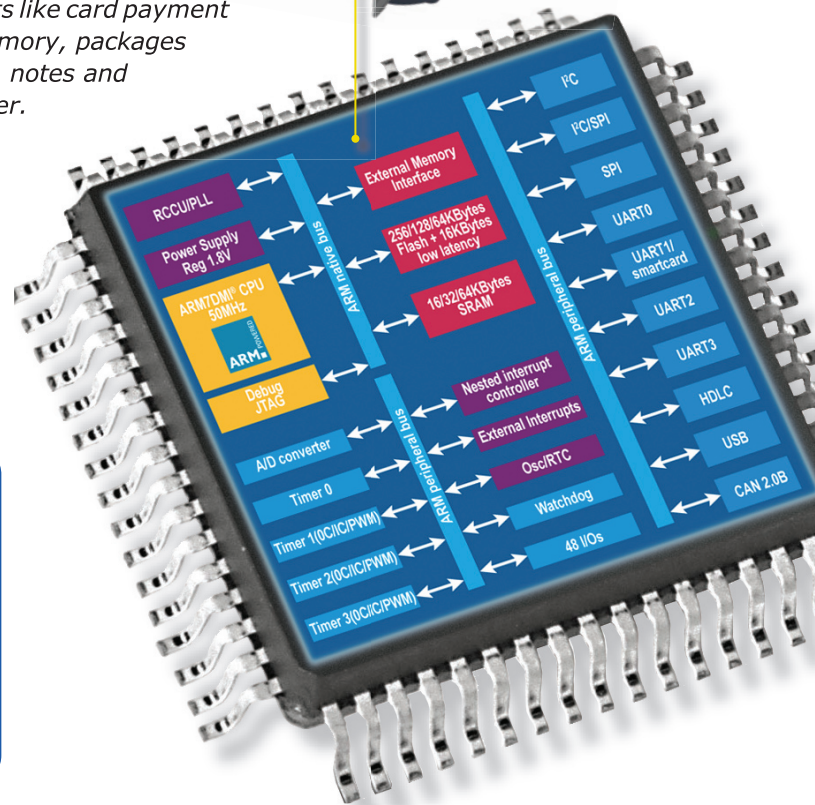
With the STR7 ARM7TDMI MCU, designing versatile products like card payment terminals is easy. STR7 family offers a large choice of memory, packages and peripherals. Extensive application support (application notes and software libraries including USB) makes design even easier.

### Key Benefits

- Future-proof 32-bit ARM-based microcontrollers
- Largest choice of peripherals and interfaces including USB and CAN
- Flexible power & clock management with two independently clocked APB peripheral buses
- High quality embedded Flash (20 years retention)
- Extensive software & easy-to-use evaluation kits

### Key Applications

- POS: Secure card reader, receipt printer, bill validation...
- USB devices: Security token, card reader...
- Industrial: Factory automation, circuit breaker, industrial network, PLC...
- HVAC and Building: Fire, access and security, alarm system, power meter...
- Medical: Patient monitoring, diagnostic systems...
- Appliances: Washing machine and dryer, dishwasher...
- Others: Hands free car kit, electric wheelchair, cellular phone base station...



For full documentation, developer kits, software and user forums, visit [www.st.com/str7-arm](http://www.st.com/str7-arm)

Solutions @ 